

TYPE:

CATALOG #:

McGRAW-EDISON®

DESCRIPTION

McGraw-Edison's Round Galleria combines beauty and versatility to make it the optimum choice for architects, specifiers and contractors in today's energy- and design-conscious environment. An aesthetic reveal in the roll-formed aluminum housing carries on the Galleria family look while a variety of mounting options and lamp wattages provide maximum flexibility. U.L. listed and CSA certified for wet locations

APPLICATION

The Round Galleria achieves a superior light distribution by utilizing a seamless reflector system, making it the optimum choice for almost any large area lighting application.

SPECIFICATION FEATURES

A...Housing

Roll-formed aluminum housing with stamped reveal has interior-welded seams for structural integrity and is finished in polyester powder coat.

B...Ballast Tray

Ballast tray is hard-mounted to housing interior for easy access and cooler operation.

C...Ballast

Long-life ballast core and coil.

D...Reflector

Spun and stamped aluminum reflector in vertical lamp units, or hydroformed anodized aluminum reflector in horizontal lamp units. Rotatable optics standard.

E...Springs

Aluminum door retaining springs.

F...Door

Formed aluminum door for arm-mount fixture has retaining springs, while spider-mount unit has a heavy-duty hinge and captive retaining screws. Door is finished in polyester powder coat.

G...Lens

Convex or Flat tempered glass lens.



GRGALLERIA ROUND

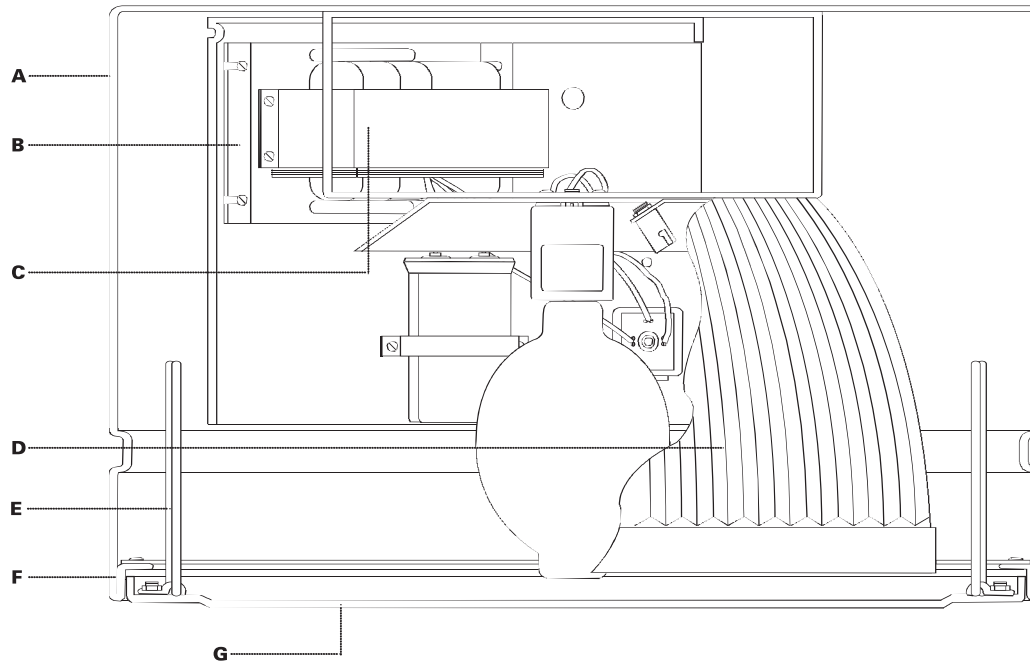
150 - 1000W

**Metal Halide
Pulse Start Metal Halide
High Pressure Sodium**

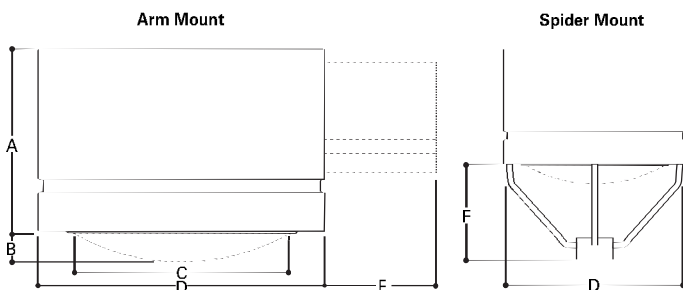
**ARCHITECTURAL
AREA LUMINAIRE**



DARK SKY FRIENDLY
In all flat glass configurations.



DIMENSIONS



Fixture	A	B	C	D	E	F
GRM 150-1000W (in.)	18 1/4	3 1/2	19 3/4	24 1/2	6 or 14	16
	(mm)	464	89	502	676	152 or 356
GRL 1000W	19 3/4	4 1/2	25 5/8	32 15/16	6 or 14	19 3/4
	(mm)	502	108	651	837	152 or 356

ENERGY DATA

Hi-Reactance Ballast Input Watts
150W HPS HPF (190 Watts)

CWA Ballast Input Watts
150W MH HPF (210 Watts)
175W MH HPF (210 Watts)
250W HPS HPF (300 Watts)
250W MH HPF (295 Watts)
400W HPS HPF (465 Watts)
400W MH HPF (455 Watts)
1000W HPS HPF (1100 Watts)
1000W MH HPF (1080 Watts)

CWI Ballast Input Watts
175W MH HPF (223 Watts)
250W HPS HPF (300 Watts)
250W MH HPF (300 Watts)
400W HPS HPF (465 Watts)
400W MH HPF (475 Watts)
1000W HPS HPF (1100 Watts)

EPA

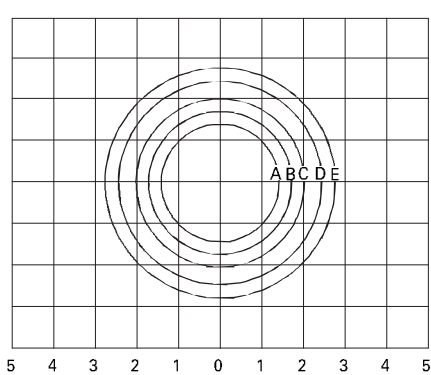
Effective Projected Area:
Arm Mount
Medium 1.9
Large 2.7
Spider Mount
Medium 2.0
Large 2.8

SHIPPING DATA

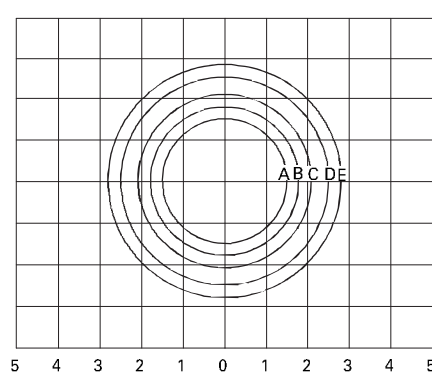
Approximate Net Weight:
86 lbs. (40 kgs.)



PHOTOMETRICS



GRM-AM-1000-MH-120-AR-FG
1000-Watt MH
110,000-Lumen Clear Lamp (Reduced Envelope)



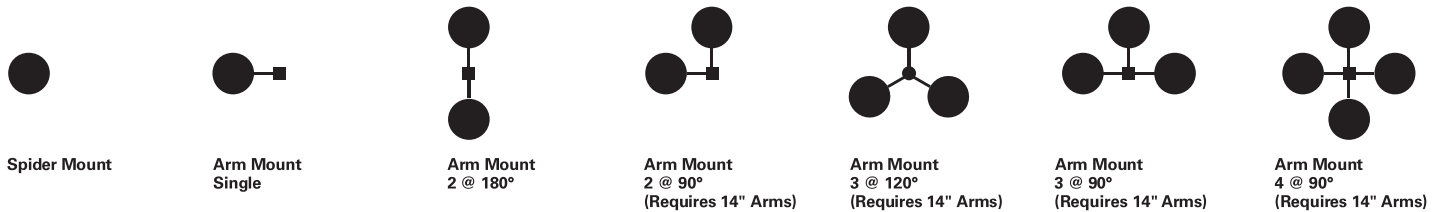
GRM-AM-1000-HPS-120-AR-FG
1000-Watt HPS
140,000-Lumen Clear Lamp (Reduced Envelope)

Footcandle Table

Select mounting height and read across for footcandle values of each isofootcandle line. Distance in units of mounting height.

Mounting Height	Footcandle Values for Isofootcandle Lines				
	A	B	C	D	E
30'	3.40	1.70	0.85	0.43	0.17
35'	2.60	1.30	0.65	0.33	0.13
40'	2.00	1.00	0.50	0.25	0.10
45'	1.58	0.79	0.40	0.20	0.08

MOUNTING VARIATIONS



ORDERING INFORMATION

SAMPLE NUMBER: GRM-AM-250-MH-120-FT-FG-DP-L

<p>Product Family GRM=Galleria Round Medium GRL=Galleria Round Large</p>	<p>Lamp Type⁴ MH=Metal Halide MP=Pulse Start Metal Halide HPS=High Pressure Sodium</p>	<p>Voltage⁵ 120=120V 208=208V 240=240V 277=277V 480=480V TT=Triple-Tap wired 347V⁶ MT=Multi-Tap wired 277V⁶</p>	<p>Distribution 1F=Type I (Horizontal) 2F=Type II (Horizontal) 3F=Type III (Horizontal) FT=Forward Throw (Horizontal) AR=Area Round (Vertical) 3V=Type III Vertical AS=Area Square (Vertical)⁷ RW=Rectangular Wide (Vertical)⁷</p>	<p>Options (add as suffix) F=Single Fuse (120, 277 or 347V) FF=Double Fused (208,240 or 480V) EM=Quartz Restrike with Delay (Hot Restrike Only) Q=Quartz Restrike (Hot Restrike Only) R=NEMA Twistlock Photocontrol Receptacle HS=House Side Shield¹⁰ VS=Vandal Shield (Arm Mount only, 400W Maximum) L=Lamp Included</p>	<p>Accessories (order separately) MA1010-XX=Single-arm Tenon Adapter for 3 1/2" O.D. Tenon¹¹ MA1011-XX=2 @ 180° Tenon Adapter for 3 1/2" O.D. Tenon¹¹ MA1012-XX=3 @ 120° Tenon Adapter for 3 1/2" O.D. Tenon¹¹ MA1013-XX=4 @ 90° Tenon Adapter for 3 1/2" O.D. Tenon¹¹ MA1014-XX=2 @ 90° Tenon Adapter for 3 1/2" O.D. Tenon¹¹ MA1015-XX=2 @ 120° Tenon Adapter for 3 1/2" O.D. Tenon¹¹ MA1016-XX=3 @ 90° Tenon Adapter for 3 1/2" O.D. Tenon¹¹ MA1017-XX=Single-arm Tenon Adapter for 2 3/8" O.D. Tenon^{11,12} MA1018-XX=2 @ 180° Tenon Adapter for 2 3/8" O.D. Tenon^{11,12} MA1019-XX=3 @ 120° Tenon Adapter for 2 3/8" O.D. Tenon^{11,12} MA1025-XX=14" Arm for Square Pole. 1.0 EPA¹¹ MA1026-XX=6" Arm for Square Pole. 0.5 EPA¹¹ MA1027-XX=14" Arm for Round Pole. 1.0 EPA¹¹ MA1028-XX=6" Arm for Round Pole. 0.5 EPA¹¹ MA1029-XX=Wall Mount Bracket with 10" Arm (Specify Color)¹¹ MA1045-XX=4 @ 90° Tenon Adapter for 2 3/8" O.D. Tenon^{11,12} MA1048-XX=2 @ 90° Tenon Adapter for 2 3/8" O.D. Tenon^{11,12} MA1049-XX=3 @ 90° Tenon Adapter for 2 3/8" O.D. Tenon^{11,12} MA1061=House Side Shield—Medium Housing (Field Installed) MA1062=House Side Shield—Large Housing (Field Installed) OA/RA1016=Photocontrol—Multi-Tap OA/RA1027=Photocontrol—480V OA/RA1201=NEMA Twistlock Photocontrol—347V</p>
<p>Mounting Method AM=Arm¹ SM=Spider for 3" O.D. Tenon</p>			<p>Lens Type FG=Flat Glass⁸ SG=Sag Glass</p>		
<p>Lamp Wattage 150=150W 175=175W 250=250W 400=400W² 1000=1000W³</p>			<p>Colors⁹ (add as suffix) BZ=Bronze AP=Grey BK=Black WH=White DP=Dark Platinum GM=Graphite Metallic</p>		

NOTES: 1 Arm not included. See accessories. 2 Requires reduced envelope ED-28 lamp when used with GRM housing and flat glass vertically lamped optics. 3 1000W in GRM housing requires reduced envelope BT-37 lamp. 4 150W medium-base socket. 175W-1000W mogul-base. 5 Product also available in non-US voltages and 50Hz for international markets. Consult factory for availability and ordering information. 6 Multi-Tap ballast is 120/208/240/277V wired 277V. Triple-Tap ballast is 120/277/347V wired 347V. 7 RW optic not available with flat glass. 8 1000W GRL with flat glass requires BT-37 lamp and is not available in AS, 3V, RW distributions. 9 Other finish colors available, including a full line of RAL color matches. Consult your Cooper Lighting Representative. 10 House side shield available for 2F, 3F, 3V (Flat Glass) and all vertically lamped distributions when combined with sag glass. 11 Add fixture color at end of number. 12 Medium fixtures only. 13 Specifications and dimensions subject to change without notice. 14 Products also available in non-US voltages and frequencies for international markets. 15 Consult your Cooper Lighting Representative for availability and ordering information.

NOTE: Specifications and dimensions subject to change without notice.

