

DESCRIPTION

Full Reflector trim for use with the H5 series housings. Reflector with socket support for A-lamps.

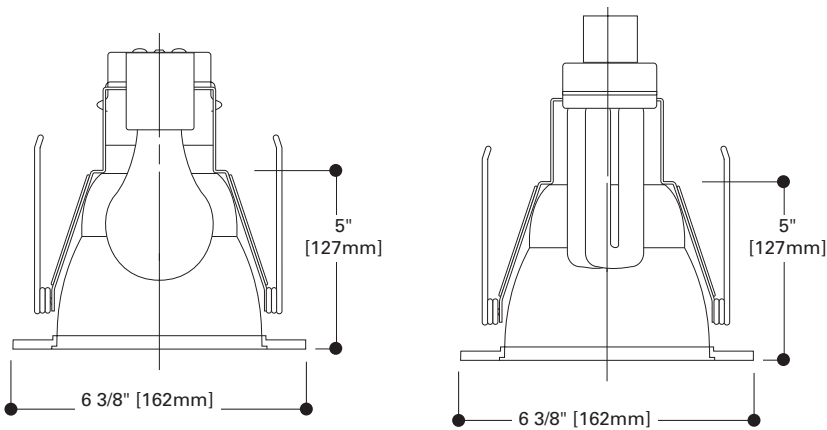
Catalog #		Type
Project		
Comments		Date
Prepared by		

DESIGN FEATURES

Torsion springs pull trim tight to ceiling.
Straight sided trim ring coordinates with die cast Halo 3" and 4" trims.

LAMP LISTINGS

H51CAT H5RICAT	40W A19
H570ICAT H57ORICAT	13W DTT, 13W TTT Compact Fluorescent
H571ICAT H571RICAT	18W DTT, 18W TTT Compact Fluorescent
H572ICAT H572RICAT	26W DTT, 26W TTT Compact Fluorescent



5021P
White with Clear Reflector



5021H
White with Haze Reflector



5021RG
White with Residential Gold Reflector

5021
5" Full Reflector

H5T-5021SC
40W A19IF 495 Lumens

Dia	FC	Work Plane
9'0"	3	5'6"
11'0"	2	6'6"
14'0"	1	8'0"
17'0"	1	10'0"
21'0"	1	12'0"

Test Nos. H36055
Work Plane is 2 1/2 ft above floor
Dia of circle is 50% of max footcandles directly under fixture

Trim

5021=5" Reflector Trim

Finish

P=White Trim Ring with Clear Specular Reflector
RG=White Trim Ring with Residential Gold Reflector
H=White Trim Ring with Haze Reflector

Accessory

OT500P=5" Oversize Trim Ring

Note: Specifications and Dimensions subject to change without notice.

Visit our web site at www.cooperlighting.com