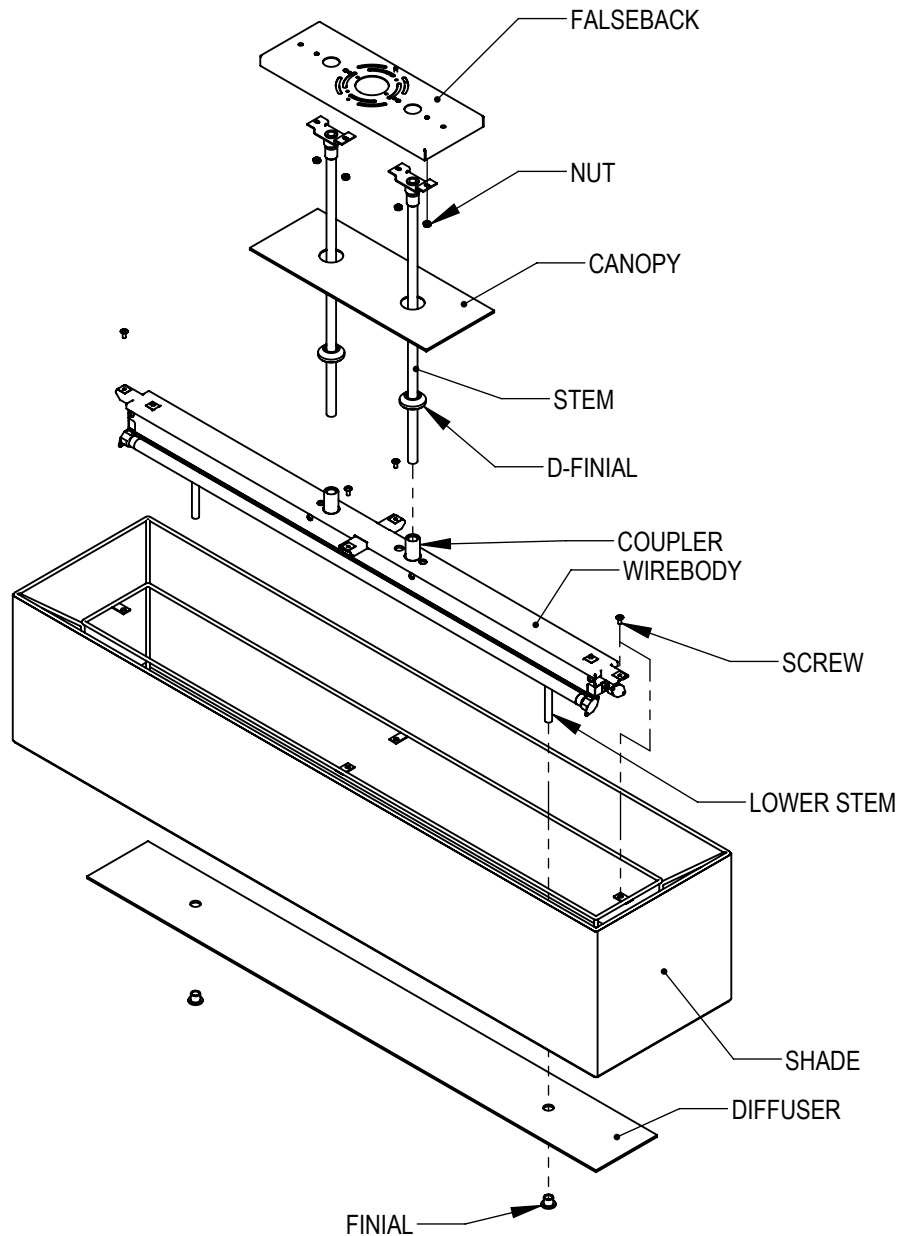
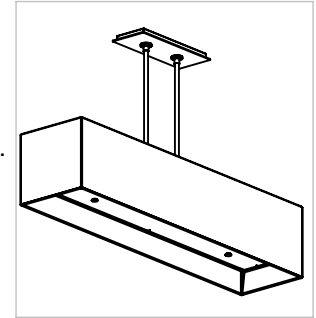


INSTALLATION INSTRUCTIONS



NOTICE:

- For proper installation, have a qualified electrician install this product.
- Before installation of any luminaire onto an electrical junction box, be sure to disconnect power.
- This luminaire must be wired and grounded in accordance with the National Electrical Code, local codes, and ordinances.
- Wire supply connections must be made with U.L. approved connectors.
- Check that luminaire voltage and building voltage are the same.



FABRIQUE' 101-P-SIS
(STEM SHADE IN SHADE)

CAUTION:

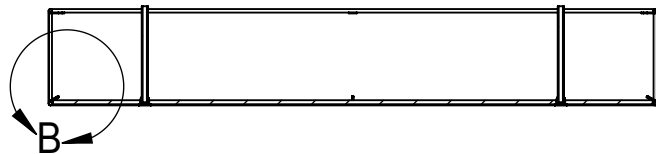
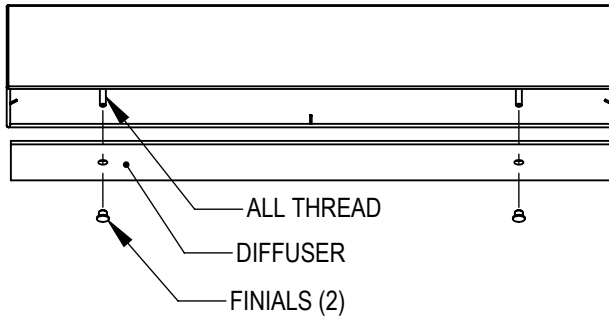
EXERCISE SPECIAL CARE AND SAFETY WHILE INSTALLING AND SERVICING LUMINAIRE. USE OF SOFT GLOVES AND PADDED MATERIALS ARE RECOMMENDED DURING HANDLING TO AVOID MARRING THE FINISH. FABRIC COMPONENTS MAY BE VACUUMED WITH CAUTION, ALL OTHER COMPONENTS MAY BE CLEANED WITH SOFT DAMP OR DRY CLOTH.

INSTALLATION INSTRUCTION

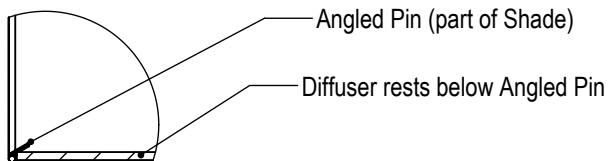
1. Assemble STEMS, CANOPY and D-FINIAL as shown.
2. Route electrical cables through a STEM assembly.
3. Mount STEM assemblies onto COUPLERS.
4. Install assembled STEMS onto FALSEBACK using (4) #8-32 NUTS.
5. Install FALSEBACK onto J-Box using screws.
6. Attach J-Box ground wire to ground screw and complete electrical wiring using U.L. approved wire connectors.
7. Install lamps to test fixture before continuing, remembering to turn power on for testing only, then turn power off.
8. Flush mount CANOPY to FALSEBACK using D-FINIALS.
9. Mount SHADE onto WIREBODY using (4) #8-32 SCREWS.
10. Secure DIFFUSER onto LOWER STEMS with FINIALS.

INSTALLATION INSTRUCTIONS

ANY ISSUES WITH INSTALLATION REQUIRES IMMEDIATE CALLS TO SHAPER



SECTION A-A
SCALE 1 : 12



DETAIL B
SCALE 1 : 6

NOTICE:

- For proper installation, have a qualified electrician install this product.
- Before installation of any luminaire onto an electrical junction box, be sure to disconnect power.
- This luminaire must be wired and grounded in accordance with the National Electrical Code, local codes, and ordinances.
- Wire supply connections must be made with U.L. approved connectors.
- Check that luminaire voltage and building voltage are the same.

101

CAUTION:

EXERCISE SPECIAL CARE AND SAFETY WHILE INSTALLING AND SERVICING LUMINAIRE. USE OF SOFT GLOVES AND PADDED MATERIALS ARE RECOMMENDED DURING HANDLING TO AVOID MARRING THE FINISH. FABRIC COMPONENTS MAY BE VACUUMED WITH CAUTION, AND ALL OTHER COMPONENTS MAY BE CLEANED WITH SOFT DAMP OR DRY CLOTH.

INSTRUCTIONS:

ATTACHING BOTTOM DIFFUSER

1. The BOTTOM DIFFUSER is designed to gently press up against the bottom edge of the Angled Pins, and secure in place with the FINIALS.
2. The ALL THREAD should be positioned correctly at the factory. If necessary, the ALL THREAD can be adjusted by opening the wirebody (not shown), and loosening the jam nuts. The bottom of the ALL THREAD should be flush to 1/8" above the bottom of the DIFFUSER.
3. Gently press the BOTTOM DIFFUSER against the Angled Pins, and secure with the FINIALS.
4. Protect fixture finish during installation and inspection.