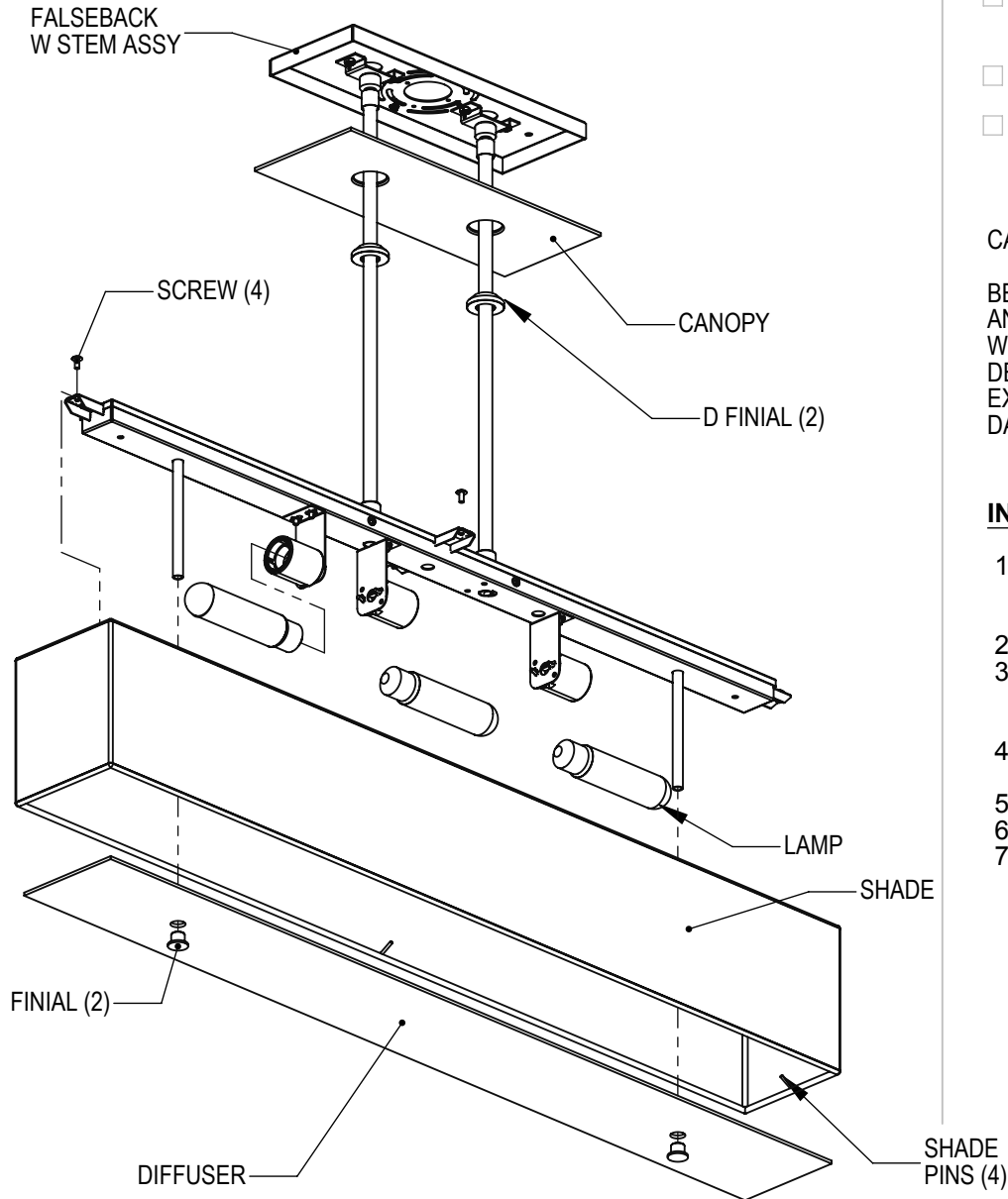
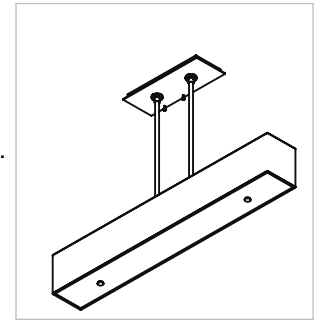


# INSTALLATION INSTRUCTIONS



## NOTICE:

- For proper installation, have a qualified electrician install this product.
- Before installation of any luminaire onto an electrical junction box, be sure to disconnect power.
- This luminaire must be wired and grounded in accordance with the National Electrical Code, local codes, and ordinances.
- Wire supply connections must be made with U.L. approved connectors.
- Check that luminaire voltage and building voltage are the same.



FABRIQUE' 101-P (PENDANT)

## CAUTION:

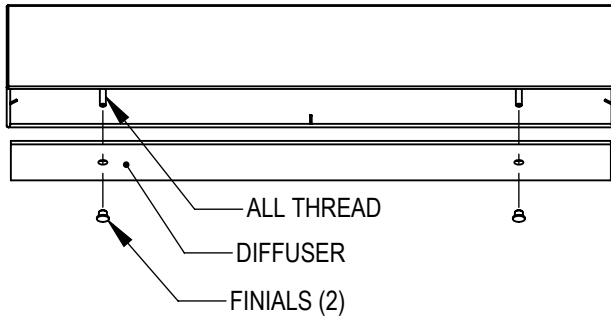
BEFORE INSTALLING AND SERVICING OF LUMINAIRE, EXERCISE SPECIAL CARE AND HANDLING OF PARTS. PLEASE USE SOFT GLOVES AND PADDED MATERIAL WHILE HANDLING PARTS TO AVOID SCRATCHING THE FINISH. DELICATE CARE MUST BE EXERCISED WHEN HANDLING SHADE ASSEMBLY. EXCEPT FOR THE SHADE ASSEMBLY, COMPONENTS MAY BE CLEANED WITH SOFT DAMP OR DRY CLOTH.

## INSTRUCTIONS:

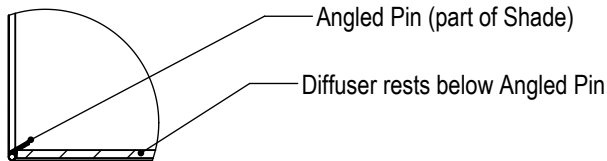
1. For ease of installation, prep electrical wiring to be completed in FALSEBACK cavity by routing electrical wires through Circle Strap hole into FALSEBACK CAVITY.
2. Install FALSEBACK w STEM ASSY to J-Box.
3. Using U.L. approved wire connectors, connect the luminaire neutral (white) to the supply neutral, connect the luminaire line wire (black) to the supply line wire, fasten green ground wire(s) to ground screw.
4. Carefully slide CANOPY flush to FALSEBACK and secure it using D-FINIALS provided.
5. install LAMPs.
6. Install SHADE ASSY using 8-32 screws as shown.
7. Adjust FINIAL to align DIFFUSER slightly recessed with the bottom of the shade. SHADE PINS will align DIFFUSER flush with SHADE. (Do not rest DIFFUSER on top of SHADE PINS). Secure DIFFUSER using FINIALS as shown.

# INSTALLATION INSTRUCTIONS

ANY ISSUES WITH INSTALLATION REQUIRES IMMEDIATE CALLS TO SHAPER



SECTION A-A  
SCALE 1 : 12



DETAIL B  
SCALE 1 : 6

## NOTICE:

- For proper installation, have a qualified electrician install this product.
- Before installation of any luminaire onto an electrical junction box, be sure to disconnect power.
- This luminaire must be wired and grounded in accordance with the National Electrical Code, local codes, and ordinances.
- Wire supply connections must be made with U.L. approved connectors.
- Check that luminaire voltage and building voltage are the same.

101

## CAUTION:

EXERCISE SPECIAL CARE AND SAFETY WHILE INSTALLING AND SERVICING LUMINAIRE. USE OF SOFT GLOVES AND PADDED MATERIALS ARE RECOMMENDED DURING HANDLING TO AVOID MARRING THE FINISH. FABRIC COMPONENTS MAY BE VACUUMED WITH CAUTION, AND ALL OTHER COMPONENTS MAY BE CLEANED WITH SOFT DAMP OR DRY CLOTH.

## INSTRUCTIONS:

### ATTACHING BOTTOM DIFFUSER

1. The BOTTOM DIFFUSER is designed to gently press up against the bottom edge of the Angled Pins, and secure in place with the FINIALS.
2. The ALL THREAD should be positioned correctly at the factory. If necessary, the ALL THREAD can be adjusted by opening the wirebody (not shown), and loosening the jam nuts. The bottom of the ALL THREAD should be flush to 1/8" above the bottom of the DIFFUSER.
3. Gently press the BOTTOM DIFFUSER against the Angled Pins, and secure with the FINIALS.
4. Protect fixture finish during installation and inspection.