

SURE-LITES

STANDARD FEATURES:

- (2) 12W MR16 Lamps Provide up to 50' Spacing
- 24W Battery (Remote Capacity w/optional lamps)
- Self-Diagnostics & Remote Laser Testing
- Damp Location Listed (UL924)
- Reverse Mounting



The Sure-Lites CHEL emergency light provides a distinct solution to any application which requires power and performance.

Constructed of die-cast aluminum, the fixture offers not only a unique design, it also provides dependable power and durability. Offered in three popular finishes, the CHEL will blend well in a variety of environments and is suited for both commercial and industrial applications.

FAS-TEST™ REMOTE TESTING

A quick and convenient way to verify proper operation by remotely activating a 30 second test. A laser pointer (sold separately as an accessory) is utilized to trigger a photocell test switch from a distance of up to 30'.

WATCHGUARD EMS SELF-DIAGNOSTIC SYSTEM

The self-diagnostic unit will automatically perform all tests required by UL924 and NFPA 101. The system indicates the status of the exit at all times using an LED indicator that is located near the test switch.

Sure-Lites® 023-414	
WatchGuard EMS	
Indicator	Meaning
● Steady	Float Charge
● Flash	High Charge
● - ●	Battery Failure
● - ● - ●	Circuit Failure
● - ● - ● - ●	Lamp Failure
TEST	INDICATOR

CHEL Series

Die-Cast Aluminum
Emergency Lighting

Key Features

Electrical

- Dual Voltage Input, 120/277 VAC, 60Hz
- Low Voltage Disconnect
- Line-latching
- Brownout Circuit
- Watchguard EMS Self-Diagnostic System
- Fas-Test™ Photocell Test Switch
- 24hr Recharge

Housing Construction

- Die Cast Aluminum Housing
- Powder Coat Finish (Silver, White, Black)
- Universal/Reverse Mounting
- 1/2" Threaded Conduit Access
- Snap Fit Design

Battery

- Sealed Lead Calcium
- Long Life, Maintenance Free

Head/Lamp Data

- (2) 6V, 12W MR16 Lamps
- Fully Adjustable

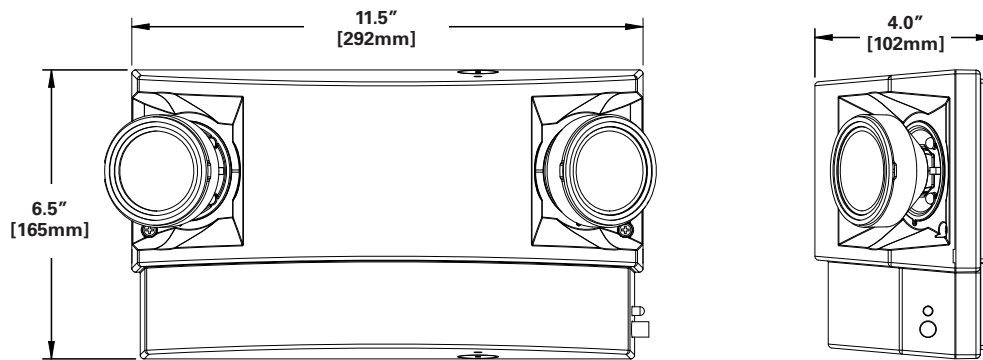
Code Compliance

- UL 924 Listed
- UL Damp Location Listed
- City of Chicago Approved
- Life Safety NFPA 101
- NEC/OSHA

Warranty

- Unit – 1 Year
- Battery – 5 Year pro-rata

Dimensions



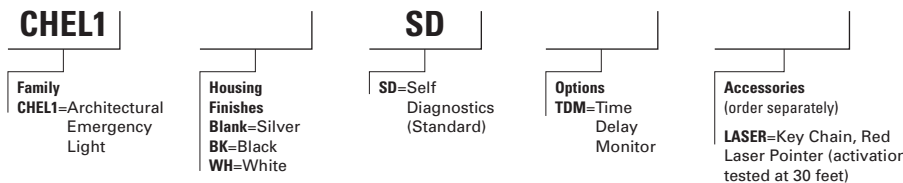
Ordering Information

ELECTRICAL RATINGS

Model	Rated Wattage to 87 1/2% of Rated D.C. Voltage		Lamp Information			
	DC Voltage	1 1/2 Hours	Type	Wattage	Number	Spacing ⁽¹⁾
CHEL1SD	6	24	MR16	12	29-140	50'

ORDERING INFORMATION

SAMPLE NUMBER: 6CHEL1SD



TOTALLY PREDICTABLE
RELIABILITY.

⁽¹⁾ The "Rule of Thumb" spacing guidelines are designed to achieve 1 foot-candle average and 0.1 foot-candle minimum with a 40:1 maximum/minimum ratio. The corridor used is 100 feet long with a 9 foot ceiling, 6 foot wide walkway, and a 3 foot path of egress. The reflectances are 80% ceiling, 50% walls and 20% floors. The fixture mounting height is 7.5 feet with a lamp head angle of 60 degrees. Cooper Lighting assumes no responsibility for local requirements or specific project variables. This is a guideline to be used as a design aid, not as guarantee of any code compliance.

Cooper Lighting and Sure-Lites are valuable trademarks of Cooper Industries in the United States and other countries. You are not permitted to use the Cooper Trademarks without the prior written consent of Cooper Industries.

Cooper Lighting
1121 Highway 74 South
Peachtree City, GA 30269
P: 770-486-4800
www.cooperlighting.com